



47684804001

Edition 2

March 2022

Air Impact Wrench

2146 Series

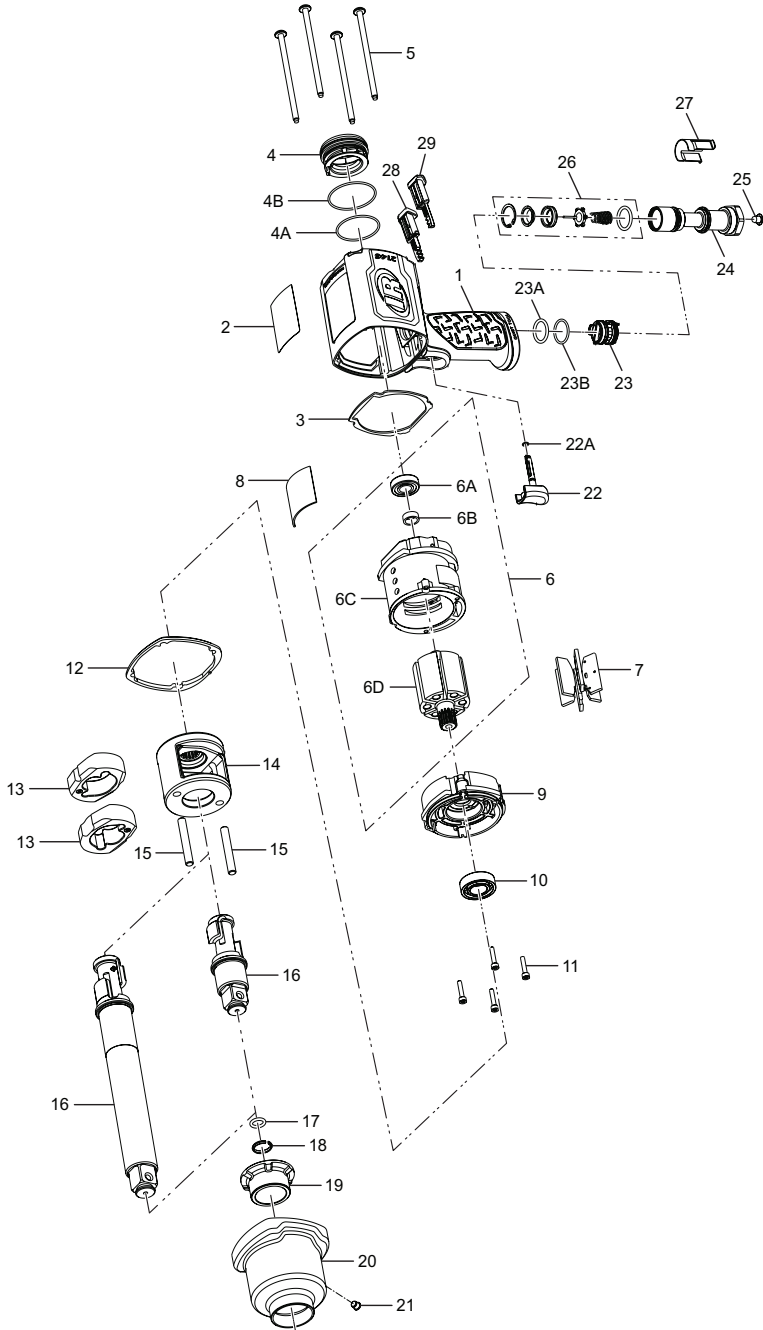
Parts Information



Save These Instructions

 **Ingersoll Rand**[®]

2146 Series, Air Impact Wrench - Exploded View



2146 Series, Air Impact Wrench - Parts List

Item	Part Description	Part Number	Item	Part Description	Part Number
*	Housing Assembly	2146-A40	21	Grease Fitting	1305R-188
1	Housing	--	† *	Trigger Assembly	2146-D93A
2	Information Label	--	22	Trigger	--
3	Motor Gasket	--	22A	O-Ring	--
*	Reverse Valve Assembly	--	*	Reverse Valve Assembly	2141-A329
*	Button Kit	--	23A	O-Ring, Reverse Valve (Top - Black)	--
*	Power Regulator Assembly	2146-D249A	23B	O-Ring, Reverse Valve (Bottom - Blue)	--
4	Power Regulator	--	23C	Reverse Valve	--
4A	O-Ring (Front - Black)	--	*	Inlet Bushing Assembly	2145-D565
4B	O-Ring (Rear - Red)	--	24	Inlet Bushing	--
5	Screw, Hammer Case (4 required)	2146-638	† 25	Inlet Pre-Screen	2145-61A
6	Cylinder Rotor Pressure Gauge Assembly	2146-A3	26	Inlet Parts Kit	2141-K303
6A	Ball Bearing (Cylinder)	2131-97	27	Inlet Clip	2141-57
6B	Spacer	2146-448	*	Button Kit	2146-K75
6C	Cylinder	2146-K3	28	Forward Button	--
6D	Rotor	2146-53	29	Reverse Button	--
† 7	Vane Pack (set of 6)	2146-42-6	*	Tune-Up Kit	2146-TK2
8	Exhaust Silencer	2146QiMAX-311	3	Motor Gasket	--
*	Endplate Assembly	2146-A11	4A	O-Ring (Front-Black)	--
9	Front Endplate	--	4B	O-Ring (Rear-Red)	--
10	Bearing (Endplate)	R38P-606	† 7	Vane Pack (set of 6)	--
11	Motor Screw M4 (4 required)	2146-639	11	Motor Screw M4 (4 required)	--
† 12	Gasket, Hammer Case	2146-36	12	Gasket, Hammer Case	--
*	Hammer Mechanism Kit	2146-THK1	22A	O-Ring	--
13	Hammer (2 required)	--	23A	O-Ring, Reverse Valve (Top - Black)	--
14	Hammer Frame	--	23B	O-Ring, Reverse Valve (Bottom - Blue)	--
15	Hammer Pin (2 required)	--	26	Inlet Parts Kit	--
*	Anvil Assembly	--	*	O-Ring, Seal	--
	for Model 2146Q1MAX	2145-A626	*	Throttle Spring	--
	for Model 2146Q1MAX-3	2145-A626-3	*	Throttle Valve	--
	for Model 2146Q1MAX-6	2145-A626-6	*	Valve Seat	--
	for Model 2146Q2MAX	2155-A626	*	Seat Support	--
16	Anvil	--	*	Retainer	--
*	Socket Retainer Kit	--	*	Inlet Clip Removal Tool	2131-322
† *	Socket Retainer Kit	--	*	Socket Retention Ring (3/4" Anvil)	RR100345
	for Models 2146Q1MAX, 2146Q1MAX-3, and 2146Q1MAX-6 (3/4" Ring Type)	2145-K425	*	Socket Retention Ring (1" Anvil)	RR100155
	for Model 2146Q2MAX (1" Ring Type)	2155-K425	† *	Air Care Kit (Grease Gun, Grease and Oil)	115-LBK1
17	O-Ring	--	*	Grease (replacement tube for LBK1)	115-4T
18	Socket Retainer	--	*	Air Tool Oil (4 oz. Bottle)	1024
*	Hammer Case Assembly	--	*	Grease (1 lb. Can)	105-1LB
	for Models 2146Q1MAX, 2146Q1MAX-3 and 2146Q2MAX	2146-D727A	*	Grease (8 lb. Can)	105-8LB
	for Model 2146Q1MAX-6	2146-6-D727A	*	Grease Gun	R000A2-228
19	Bushing, Hammer Case	--	*	Protective Tool Boot	2146-BOOT
	for Models 2146Q1MAX, 2146Q1MAX-3 and 2146Q2MAX	2146-641			
	for Model 2146Q1MAX-6	2146-6-641			
20	Hammer Case	--			
21	Grease Fitting	--			

* Indicates not illustrated.

† Indicates common-wear parts. Maintain stock to reduce downtime.

Parts and Maintenance

When tool life has expired, it is recommended that the tool be disassembled, degreased and parts separated by material for proper recycling.

Tool repair and maintenance should only be carried out by an authorized Service Center.

Refer all communications to the nearest **Ingersoll Rand** office or distributor.

Related Documentation

Manuals can be downloaded from **ingersollrand.com**

For additional information, refer to:

Product Safety Information Manual 04580916

Product Information Manual 47684805001

Declaration of Conformity 47726216001

Notes:

Notes:

Notes:

[ingersollrand.com](https://www.ingersollrand.com)

© 2022 *Ingersoll Rand*

